

## Product Highlights

### 2 Megapixel - Full HD Resolution

High-resolution Full HD 1080p video ensures that you capture the details that you need

### Reliable 24-Hour Surveillance

Infrared LED illuminator provides clear video at night for dependable 24-hour surveillance

### High-Quality Video Feeds

Real-time video compression using the H.264, MPEG-4 and MJPEG codecs



## DCS-2210 & DCS-2230

# Full HD PoE/Wireless N Cube Network Camera

## Features

- 2 Megapixel progressive CMOS sensor
- Real-time H.264, MPEG-4, and Motion JPEG compression
- Full HD resolution up to 1920 x 1080
- Fixed lens 4.37 mm f2.0
- Built-in mechanical IR cut filter for day/night surveillance
- Built-in IR LED for no-light environments
- Built-in PIR (Passive Infrared) sensor for accurate motion detection
- Simultaneous multi-stream support
- ePTZ
- Integrated microphone & speaker
- Privacy Mask feature
- microSD Card slot
- 2-way audio support
- 1 digital input / 1 digital output
- PoE (DCS-2210 only)
- IEEE 802.11n (DCS-2230 only)
- WPS (DCS-2230 only)
- WEP / WPA / WPA2 wireless security (DCS-2230 only)
- 3GPP mobile surveillance
- Built-in Samba client for NAS
- ONVIF-compliant

## 24/7 Camera Surveillance

The DCS-2210/2230 Full HD Cube Network Camera is a versatile surveillance solution that is perfect for monitoring low-light environments in your home or small office. It combines a high-resolution 2 Megapixel sensor with a built-in IR LED to help you keep watch over areas in complete darkness. The DCS-2210/2230 also includes a built-in mechanical IR cut filter, making it suitable for both day and night applications. The DCS-2210 includes support for Power over Ethernet PoE, so the camera can be placed in areas where no power outlet is nearby. The DCS-2230 features 802.11n wireless, allowing the camera to be placed anywhere within range of your wireless network. The DCS-2210/2230 also offers simple installation, an intuitive web-based interface, and remote monitoring and motion detection features for a complete and cost-effective home and business security solution.

## Wireless N Connectivity (DCS-2230)

The Wireless N Technology on the DCS-2230 provides you with fast, reliable wireless connection so you can view the live video feeds from your camera anywhere, anytime. The Site Survey feature also allows you to view or connect to a nearby wireless network with ease. The DCS-2210/2230 also includes a standard Ethernet port for connections to traditional wired networks.

## Flexible Connectivity

The DCS-2210/2230 includes input and output ports allowing connectivity to external devices such as IR sensors, switches, and alarm relays.

### ePTZ For Surveying Regions Of Interest

The ePTZ feature allows users to select a target region for close-up viewing simply by clicking on the video feed displayed within their browser. ePTZ makes use of the camera's 2 megapixel resolution to survey a large area effortlessly. Since ePTZ requires no moving parts, there is no need to worry about the camera having mechanical failures.

### Easy to Configure and operate

This network camera supports the Universal Plug-n-Play feature, which allows computers running on Windows XP/Vista/7 to automatically recognize the camera and add it to the network.

### D-ViewCam™ for Management

The included D-ViewCam™ IP camera surveillance software is a comprehensive surveillance system designed to centrally manage multiple IP cameras. Supporting up to 32 IP cameras, D-ViewCam™ is compatible with all current D-Link IP cameras and offers digital monitoring and recording capabilities of video, audio, and events for various security applications. The D-ViewCam™ software is included free of charge with the DCS-2210/DCS-2230.

### Open Network Video Interface Forum (ONVIF)

ONVIF is an open industry forum for the development of a global standard for the interface of IP-based physical security products. ONVIF identifies a standard for how IP products within video surveillance and other physical security areas can communicate with each other ensuring interoperability between products regardless of brand. The DCS-2210/DCS-2230 is ONVIF-compliant and therefore compatible with many third party Video Management Software (VMS) solutions.



Front



Side



Back

### Technical Specifications

#### Camera

Hardware Profile	<ul style="list-style-type: none"> <li>• 1/2.7" 2 Megapixel progressive CMOS sensor</li> <li>• IR Illumination distance: 5 m</li> <li>• Minimum illumination: 0 lux with IR illumination</li> <li>• Built-in Infrared-Cut Removable (ICR) filter module</li> </ul>	<ul style="list-style-type: none"> <li>• Built-in PIR (Passive Infrared) sensor</li> <li>• 10x digital zoom</li> <li>• Fixed length: 4.37 mm</li> <li>• Aperture: F2.0</li> </ul>
Field of View	<ul style="list-style-type: none"> <li>• (H) 67.4° / (V) 40.8° / (D) 75°</li> </ul>	
Image Features	<ul style="list-style-type: none"> <li>• Configurable image size, quality, frame rate, and bit rate</li> <li>• Time stamp and text overlays</li> <li>• Configurable motion detection windows</li> </ul>	<ul style="list-style-type: none"> <li>• 3 configurable privacy mask zones</li> <li>• Configurable white balance, shutter speed, brightness, saturation, contrast, and sharpness</li> </ul>
Video Compression	<ul style="list-style-type: none"> <li>• H.264/MPEG-4/MJPEG simultaneous format compression</li> </ul>	<ul style="list-style-type: none"> <li>• JPEG for still images</li> </ul>

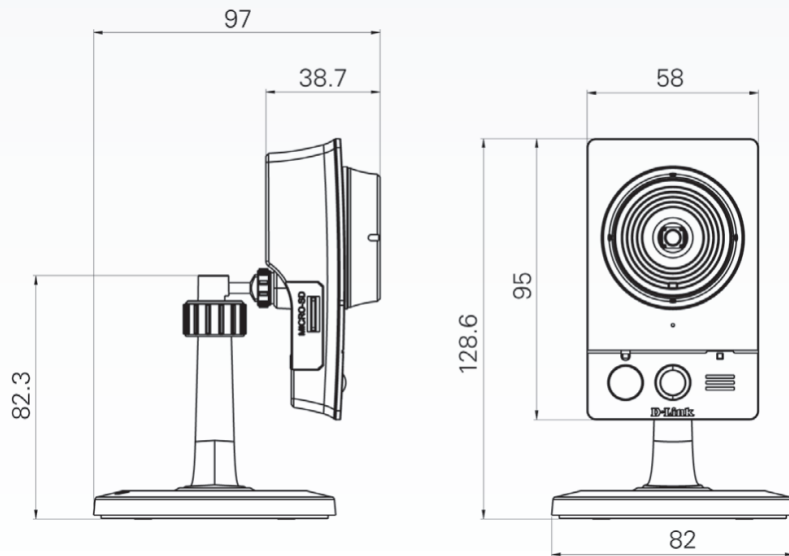
Video Resolution	<ul style="list-style-type: none"> <li>• 16:9 - 1920 x 1080 (up to 15 fps), 1280 x 720, 800 x 450, 640 x 360, 480 x 270, 320 x 176, 176 x 144 up to 30 fps</li> <li>• 4:3 - 1440 x 1080 (up to 15 fps), 1280 x 960, 1024 x 768, 800 x 600, 640 x 480, 320 x 240, 176 x 144 up to 30 fps</li> </ul>	
Audio Support	• G.726	• Built-in microphone and speaker
External Device Interface	<ul style="list-style-type: none"> <li>• 10/100 BASE-TX Ethernet port (with PoE for DCS-2210 only)</li> <li>• 802.11n wireless (DCS-2230 only)</li> </ul>	<ul style="list-style-type: none"> <li>• 1 DI / 1 DO</li> <li>• microSD card slot</li> </ul>
<b>Network</b>		
Network Protocols	<ul style="list-style-type: none"> <li>• IPv4</li> <li>• TCP/IP</li> <li>• UDP</li> <li>• ICMP</li> <li>• DHCP Client</li> <li>• NTP Client (D-Link)</li> <li>• DNS Client</li> <li>• DDNS Client (D-Link)</li> <li>• SMTP Client</li> <li>• FTP Client</li> </ul>	<ul style="list-style-type: none"> <li>• HTTP / HTTPS</li> <li>• Samba Client</li> <li>• PPPoE</li> <li>• UPnP Port Forwarding</li> <li>• RTP / RTSP / RTCP</li> <li>• IP filtering</li> <li>• 3GPP</li> <li>• IGMP</li> <li>• ONVIF-Compliant</li> </ul>
Security	<ul style="list-style-type: none"> <li>• Administrator and user group protection</li> <li>• Password authentication</li> </ul>	• HTTP and RTSP digest encryption
<b>System Management</b>		
System Requirements for Web Interface	<ul style="list-style-type: none"> <li>• Operating System: <ul style="list-style-type: none"> <li>- Windows® 7, Windows Vista®, Windows® XP, Windows® 2000</li> </ul> </li> </ul>	<ul style="list-style-type: none"> <li>• Browser: <ul style="list-style-type: none"> <li>- Internet Explorer, Mozilla Firefox, Netscape, Opera</li> </ul> </li> </ul>
Event Management	<ul style="list-style-type: none"> <li>• Motion detection</li> <li>• PIR motion detection</li> <li>• Event notification and upload snapshots/video clips via HTTP, SMTP, or FTP</li> </ul>	<ul style="list-style-type: none"> <li>• Supports multiple HTTP, SMTP, and FTP servers</li> <li>• Multiple event notifications</li> <li>• Multiple recording methods for easy backup</li> </ul>
Remote Management	<ul style="list-style-type: none"> <li>• Configuration accessible via web browser</li> <li>• Take snapshots/video clips and save to local hard drive or NAS via web browser</li> </ul>	
D-ViewCam™ System Requirements	<ul style="list-style-type: none"> <li>• Operating System: Microsoft Windows 7/Vista/XP</li> <li>• Web Browser: Internet Explorer 6 or higher</li> </ul>	• Protocol: Standard TCP/IP
D-ViewCam™ Software Functions	<ul style="list-style-type: none"> <li>• Remote management/control of up to 32 cameras</li> <li>• Viewing of up to 32 cameras on one screen</li> </ul>	<ul style="list-style-type: none"> <li>• Supports all management functions provided in web interface</li> <li>• Scheduled motion triggered or manual recording options</li> </ul>
<b>General Specifications</b>		
Power Input	• 12V DC 1.2 A, 50/60 Hz, PoE (DCS-2210 only)	
Max. Power Consumption	• DCS-2210: 3.5 watts	• DCS-2230: 4.0 watts
Environment	• Indoor Use Only	
Operating Temperature	• 32 to 104° F (0° to 40° C)	
Storage Temperature	• -4° to 158° F (-20° to 70° C)	
Humidity	• 20% to 80% non-condensing	
Weight	• DCS-2210: 0.17lbs (80 grams)	• DCS-2230: 0.16lbs (75 grams)

# DCS-2210 & DCS-2230 Full HD PoE/Wireless N Cube Network Camera

Certifications	<ul style="list-style-type: none"> <li>• CE</li> <li>• LVD (EN60965-1)</li> </ul>	<ul style="list-style-type: none"> <li>• FCC (Class B)</li> <li>• C-Tick</li> </ul>
Dimensions	<ul style="list-style-type: none"> <li>• Width: 2.3" (58mm)</li> <li>• Height: 3.25" (95mm)</li> <li>• Depth: 1.5" (38.7mm)</li> </ul>	
<b>Warranty</b>		
Warranty	•1-Year Limited <sup>1</sup>	
<b>Order Information</b>		
<i>Part Number</i>	<i>Description</i>	
DCS-2210	Full HD PoE Cube Network Camera	
DCS-2230	Full HD Wireless N Cube Network Camera	
DNS-726-4	SecureCenter 2-Bay Network Video Recorder (NVR) Pro Edition	

<sup>1</sup>1-Year Limited Warranty available in USA and Canada. All references to speed are for comparison purposes only. Product specifications, size and shape are subject to change without notice, and actual product appearance may differ from that depicted herein.

Updated 05/24/12



DCS-2210



DCS-2230



## For more information

D-Link Systems, Inc. | 17595 Mt. Herrmann Street | Fountain Valley, CA 92708 | 800.326.1688 | dlink.com

©2012 D-Link Corporation/D-Link Systems, Inc. All rights reserved. D-Link, the D-Link logo, and D-ViewCam are trademarks or registered trademarks of D-Link Corporation or its subsidiaries in the United States and/or other countries. Other trademarks or registered trademarks are the property of their respective owners. Visit [www.dlink.com](http://www.dlink.com) for more details.