



Remote Viewing: View on iPhone®, iPad® or Android® with mydlink™ app



Outdoor-Ready: IP66 Weatherproof casing



Day/Night: See up to 30-feet in the dark



Record Video: microSD/SDHC card slot



Trigger recording and email alerts

Cloud Camera 7100

Outdoor HD Network Camera

Product Highlights

HD Image Quality and Detail

A high-resolution megapixel sensor provides HD 720p resolution images and video to ensure that you capture the details you need

Outdoor Day/Night

A built-in ICR filter and IR illuminator let you monitor an area 24 hours a day, and the weatherproof casing protects against damage and the elements

mydlink-enabled Cloud Access

Easy remote viewing and management of your camera on your mobile device or through the mydlink website

Outdoor HD Network Camera

The D-Link Cloud Camera 7100 (DCS-7010L) is an Outdoor HD Network Camera. With an outdoor-ready design, HD 720p surveillance recording, and Cloud Services-enabled remote management, the Cloud Camera 7100 provides a perimeter of weatherproof protection so you can keep an eye on what matters most.

Outdoor-Ready Coverage

D-Link's Cloud Camera 7100 is outdoor-ready with a weatherproof casing equipped to handle dust and low-pressure water contact. It also features a versatile -12°F to 122°F operating temperature range so you can keep an eye on the bigger picture – whatever the weather, whatever the season.

HD 720p for Superior Image Quality

The Cloud Camera 7100 delivers the confidence of HD 720p video clarity, ensuring rich detail and crisp image quality for your surveillance recording. And with integrated night-vision and the Cloud Camera 7100 remains vigilant 24 hours a day, whether you're there or not.

DCS-7010L

Package Contents

- Cloud Camera 7100 (DCS-7010L)
- Ethernet Cable
- Power Adapter
- Mounting Kit
- Quick Install Guide

Minimum System Requirements

Computer with:

- 1.3GHz Processor
- 128MB Memory
- Windows® 7⁵, Windows Vista⁶⁵ and Windows® XP SP3⁶⁵, or Mac OS X (10.5 and above, Intel Processor)
- Internet Explorer® 7, Mozilla® Firefox® v3.5, Google® Chrome v2, or Safari® v4 or above

For Internet Access:

- Cable or DSL Modem
- Subscription with an Internet Service Provider (ISP)

Features

- Remotely Monitor Your Home or Office over the Internet
- IEEE 802.3af PoE
- HD resolution 1280x720 (Max. 1280x800)
- 2-Way Audio Support
- Supports H.264/MJPEG/MPEG-4 Video Codec
- Built-In 10M IR LED for Viewing Dark Environments
- MicroSD/SDHC Card Slot for Local Recording
- Motion Detection to Trigger Recording and Send E-mail Alerts¹
- Privacy Mask Support
- Digital Pan/Tilt/Zoom
- Support for iPhone®, iPad® & Android® Apps²
- mydlink.com Portal for Easy Viewing and Management
- Administrator/User Password Protection
- UPnP® Support for Network Setup & Configuration
- IP66 Weatherproof
- Operating Temperature: -25°C - 50°C (-12°F - 122°F)
- 24/7 Basic Installation Support³
- 1-Year Limited Warranty⁴

Industry-Leading Remote Viewing with mydlink

With the free mydlink Lite app, you can monitor your home or business on your iPhone, iPad or Android device and experience the peace of mind that comes from having round-the-clock surveillance at your fingertips. Check in on your home while you're at work, or monitor on your business when you're out of the office – with mydlink, you can keep an eye on what matters, whenever and wherever you want.

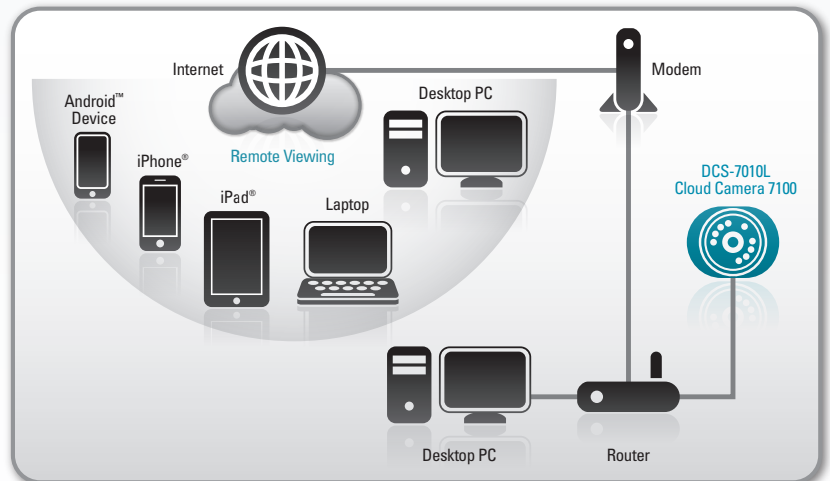
A Scalable Surveillance Solution

The Cloud Camera 7100 works as a standalone surveillance system, or it can grow and scale over time with your changing home or business needs. Create a multi-camera system with the included D-ViewCam software for a comprehensive surveillance solution that grows with you.

Make Easy Setup Even Easier – With Zero Configuration

Connecting your D-Link camera with any router is easy – make it even easier with your D-Link Cloud Router. Zero Configuration automatically configures and intelligently syncs your D-Link camera to your mydlink account – it's as easy as connect and view!

It's never been easier to view live streaming video of your home or office:



Versatile operating temperature range. Dust, water and heat and cold-resistant. Reliable coverage for any time, any season.



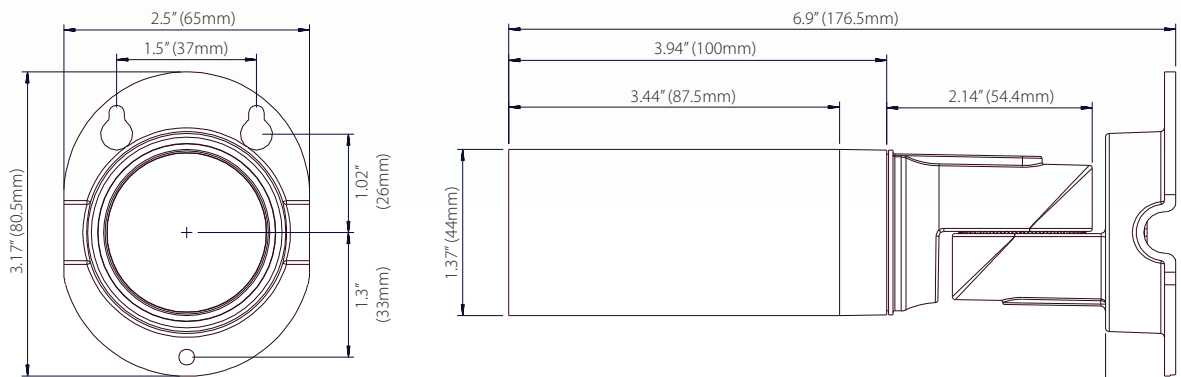
Technical Specifications		
Camera		
Hardware Profile	<ul style="list-style-type: none"> • 1/4" Megapixel progressive CMOS sensor • 10 meter IR illumination distance • Minimum illumination: 0 lux with IR LED on • Built-in Infrared-Cut Removable (ICR) Filter module 	<ul style="list-style-type: none"> • Audio in and out jacks • 10x digital zoom • Focal length: 4.3 mm • Aperture: F2.0
Field of View	<ul style="list-style-type: none"> • (H)47°, (V) 37°, (D) 60° 	
Camera Housing	<ul style="list-style-type: none"> • IP-66 compliant weatherproof housing 	<ul style="list-style-type: none"> • Cable Management Bracket
Image Features	<ul style="list-style-type: none"> • Configurable image size, quality, frame rate, and bitrate • Time stamp and text overlays 	<ul style="list-style-type: none"> • Configurable motion detection windows
Video Compression	<ul style="list-style-type: none"> • H.264/MPEG-4/MJPEG simultaneous format compression 	<ul style="list-style-type: none"> • H.264/MPEG-4 multicast streaming • JPEG for still images
Video Resolution	<ul style="list-style-type: none"> • 16:9 - 1280 x 800, 1280 x 720, 800 x 450, 640 x 360, 480 x 270, 320 x 176, 176 x 144 up to 30 fps recording⁷ 	<ul style="list-style-type: none"> • 4:3 - 1024 x 768, 800 x 600, 640 x 480, 480 x 360, 320 x 240, 176 x 144 up to 30 fps recording⁷
Audio Support	<ul style="list-style-type: none"> • G.726 	<ul style="list-style-type: none"> • G.711
External Device Interface	<ul style="list-style-type: none"> • 10/100 BASE-TX Fast Ethernet port • Supports 802.3af PoE • MicroSD/SDHC card slot 	<ul style="list-style-type: none"> • DI/DO ports • Audio In/Out 3.5mm Jacks
Network		
Network Protocols	<ul style="list-style-type: none"> • IPv6 • IPv4 • TCP/IP • UDP • ICMP • DHCP client • NTP client (D-Link) • DNS client • DDNS client (D-Link) • SMTP client • FTP client 	<ul style="list-style-type: none"> • HTTP / HTTPS • Samba client • PPPoE • UPnP port forwarding • RTP / RTSP/ RTCP • IP filtering • QoS • CoS • Multicast • IGMP • ONVIF compliant
Security	<ul style="list-style-type: none"> • Administrator and user group protection • Password authentication 	<ul style="list-style-type: none"> • HTTP and RTSP digest encryption
System Management		
System Requirements for Web Interface	<ul style="list-style-type: none"> • Browser: Internet Explorer, Mozilla Firefox, or Google Chrome 	
Event Management	<ul style="list-style-type: none"> • Motion detection • Event notification and uploading of snapshots/video clips via e-mail or FTP 	<ul style="list-style-type: none"> • Supports multiple SMTP and FTP servers • Multiple event notifications • Multiple recording methods for eas
Remote Management	<ul style="list-style-type: none"> • Configuration accessible via web browser • Take snapshots/video clips and save to local hard drive or NAS via web browser 	
Mobile Support	<ul style="list-style-type: none"> • Windows 7®/Vista®/XP® system, Pocket PC, or mobile phone • mydlink™ mobile app for iOS and Android mobile devices 	
D-ViewCam™ System Requirements	<ul style="list-style-type: none"> • Operating System: Microsoft Windows 7/Vista/XP • Web Browser: Internet Explorer 7 or higher 	<ul style="list-style-type: none"> • Protocol: Standard TCP/IP
D-ViewCam™ Software Functions	<ul style="list-style-type: none"> • Remote management/control of up to 32 cameras • Viewing of up to 32 cameras on one screen 	<ul style="list-style-type: none"> • Supports all management functions in web interface • Scheduled motion triggered or manual recording options

DCS-7010L Cloud Camera 7100

General Specifications	
Power	<ul style="list-style-type: none"> • 5 V DC, 1.2 A through external power adapter • External Power Adapter Input: 100 to 240 V AC, 50/60 Hz
Max. Power Consumption	• 5.4 watts
Operating Temperature	• -12 to 122° F (-25° to 50° C)
Storage Temperature	• -4° to 158° F (-20° to 70° C)
Operating Humidity	• 20% to 80% non-condensing
Storage Humidity	• 5% to 95% non-condensing
Certifications	<ul style="list-style-type: none"> • CE • CE LVD • FCC • C-Tick
Dimensions	• 2.56" x 3.17" x 6.96" (65mm x 80.5mm x 176.5mm)
Weight	• 510g ± 5%
Warranty	
Warranty	• 1-Year Limited ⁴
Order Information	
<i>Part Number</i>	<i>Description</i>
DCS-7010L	Cloud Camera 7100

¹Use of audio or video equipment for recording the image of a person without their knowledge and consent is prohibited in certain states or jurisdictions. The end-user assumes all liability for compliance with applicable state, local and federal laws. ²The inclusion of a specific product or manufacturer does not imply its endorsement of D-Link or the D-Link product. ³ 24/7 Basic Installation Support is available only in the USA for the first 30 days from date of original purchase. ⁴ 1-Year Limited Warranty available only in the USA and Canada. ⁵ Computer must adhere to Microsoft's recommended System Requirements. ⁶ Zero Configuration requires mydlink-enabled Cloud Router.

All references to speed and range are for comparison purposes only. Product specifications, size and shape are subject to change without notice, and actual product appearance may differ from that depicted herein.



U.S.A. | 17595 Mt. Herrmann Street | Fountain Valley, CA 92708 | 800.326.1688 | dlink.com **Canada** | 2525 Meadowvale Blvd | Mississauga, ON L5N 5S2 | 800.361.5265 | dlink.ca

©2012 D-Link Corporation/D-Link Systems, Inc. All rights reserved. D-Link, the D-Link logo, mydlink, and the D-Link RoHS logo are trademarks or registered trademarks of D-Link Corporation or its subsidiaries in the United States and/or other countries. Other trademarks or registered trademarks are the property of their respective owners. iPhone and iPad are registered trademarks of Apple Inc. Android is a trademark of Google Inc.

Updated 10/18/12



D-Link[®]
Building Networks for People