



Product Highlights

Compact Rugged Construction

IP66 weather-proof and IK10 vandal-proof housing makes the DCS-4602EV ideal for the most demanding surveillance applications

Full HD Resolution

A high-resolution 2 megapixel sensor provides 1080p resolution while digital wide dynamic range technology lets you capture the details you need

Complete Day/Night Surveillance Solution

Keep watch over an area 24 hours a day - integrated IR LEDs and automatic IR cut filter provide clear video, even in complete darkness



DCS-4602EV

Vigilance Full HD Outdoor Dome Network Camera

Features

2 Megapixel Full HD Video

- 1/3" megapixel progressive CMOS sensor
- Full HD resolution (1920 x 1080)
- Digital Wide Dynamic Range
- H.264 & MJPEG codec support for streaming and recording
- Motion detection
- Privacy mask
- 3D filtering reduces noise in low-light environments

Outdoor Placement

- Built-in IR LED illuminator with a 60 foot range for use in dark areas
- Range of mounting options for flexible placement
- Rugged IP66 weatherproof housing
- IK10 vandalproof housing to protect unit when mounted in public areas

Network

- Power over Ethernet (PoE) provides easy and flexible integration into your network

Camera Overview

The D-Link DCS-4602EV Vigilance Full HD Outdoor Dome Network Camera is a high definition professional surveillance and security solution suitable for small, medium, and large enterprises. The camera uses a high-sensitivity 1/3" megapixel progressive scan CMOS sensor with digital WDR image enhancement to deliver balanced video in varying lighting conditions. The compact rugged design makes this camera ideal for deployment in a wide variety of surveillance applications.

High-Quality Streaming & Recording

To maximize bandwidth efficiency and improve image quality, the DCS-4602EV provides real-time video compression using the H.264 and MJPEG codecs, and supports three separate profiles for simultaneous video streaming and recording. This versatility enables a wide variety of security applications, such as monitoring public areas to detect incidents and to coordinate responses, enforcing access control to restricted areas, deterring criminal activity, or monitoring inventory.

Continuous Monitoring

The DCS-4602EV's digital wide dynamic range (WDR) video enhancement gives you improved image quality in environments with uneven or difficult lighting, so you can identify subjects that are backlit or in brightly lit areas. In low-light situations, the IR cut filter automatically slides out of the way to use all available light. The DCS-4602EV also has built-in IR LED illuminators with a 60 foot range, allowing the camera to keep watch even in complete darkness. These features work together to give you a reliable surveillance camera capable of monitoring an area 24 hours a day.

Vigilance Full HD Outdoor Dome Network Camera

Video Management Software

The DCS-4602EV Vigilance Full HD Outdoor Dome Network Camera includes D-ViewCam, a complete surveillance software package that enables you to view, manage, and record from up to 32 cameras on a single computer in a central location. Recordings and e-mail alerts can be triggered through motion detection or events triggered by digital input devices, keeping administrators informed of any unusual activity.

Flexible Connectivity

The DCS-4602EV has a built-in 802.3af compliant PoE module that simplifies installation by providing power and networking connectivity with a single cable, reducing the need to drill holes or lay additional cabling.



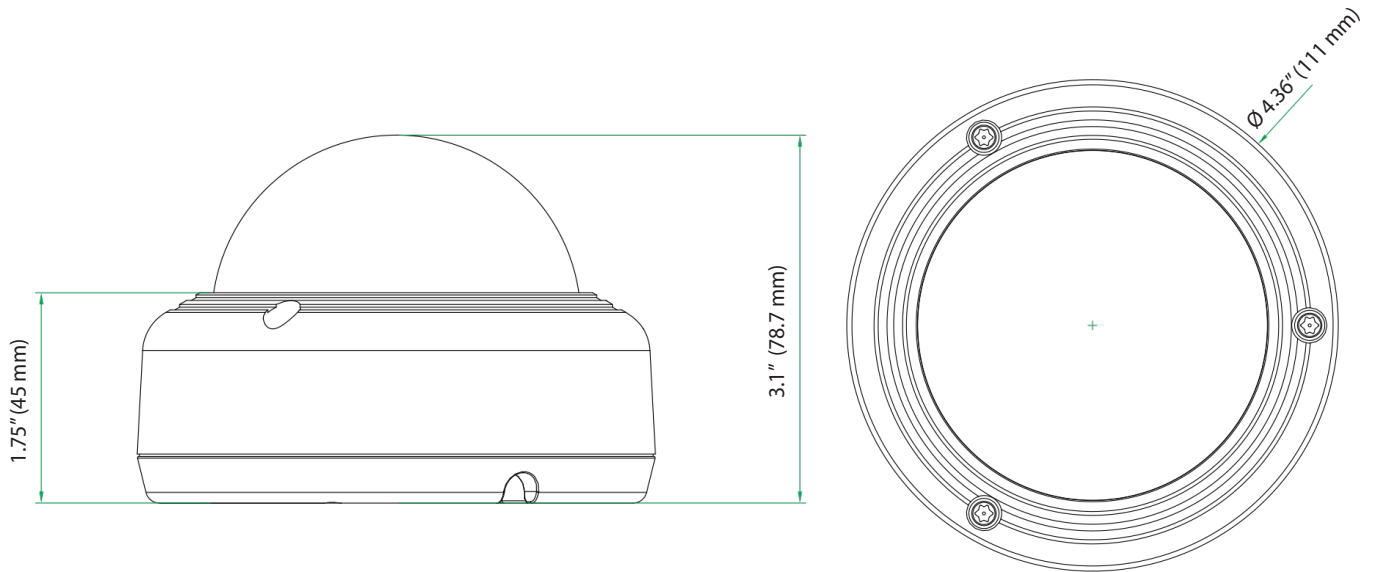
Technical Specifications

Camera		
Camera Hardware Profile	<ul style="list-style-type: none"> • 1/3" 2-megapixel progressive CMOS sensor • 60 feet IR illumination distance • Minimum illumination: <ul style="list-style-type: none"> • 1.0 lux (color) • 0.5 lux (B/W) • 0 lux / (IR-LED) • Automatic Infrared-Cut Filter module for night viewing • 10x digital zoom • Minimum object distance: 8" 	<ul style="list-style-type: none"> • Focal length: 2.8 mm • Aperture: F2.0 • Angle of view: <ul style="list-style-type: none"> • (H) 96° • (V) 54° • (D) 108° • Adjustment angle (non-motorized): <ul style="list-style-type: none"> • Vertical: 60° • Horizontal: 350°
Camera Housing	<ul style="list-style-type: none"> • IP66 compliant weatherproof housing 	<ul style="list-style-type: none"> • IK10 vandalproof housing
Image Features	<ul style="list-style-type: none"> • Configurable image size, quality, frame rate, and bit rate • Time stamp and text overlays • Configurable motion detection windows 	<ul style="list-style-type: none"> • Configurable privacy mask zones • Configurable shutter speed, brightness, saturation, contrast, sharpness, WDR, and 3D filter.
Video Compression	<ul style="list-style-type: none"> • Simultaneous H.264/MJPEG format compression • Multicast streaming 	<ul style="list-style-type: none"> • JPEG for still images
Video Resolution	<ul style="list-style-type: none"> • 16:9 - 1920 x 1080, 1280 x 720, 800 x 448, 640 x 360, 480 x 272, 320 x 176 up to 30 fps 	<ul style="list-style-type: none"> • 4:3 - 1440 x 1080, 1280 x 960, 900 x 720, 800 x 592, 640 x 480, 480 x 352, 320 x 240 up to 30 fps
External Device Interfaces	<ul style="list-style-type: none"> • 10/100 BASE-TX Fast Ethernet port 	<ul style="list-style-type: none"> • Supports 802.3af PoE Class 2

Vigilance Full HD Outdoor Dome Network Camera

Network		
Network Protocols	<ul style="list-style-type: none"> • IPv6 • IPv4 • ARP • TCP/IP • UDP • ICMP • DHCP client • NTP client (D-Link) • DNS client • DDNS client (D-Link) • SMTP client • FTP client 	<ul style="list-style-type: none"> • HTTP/HTTPS • Samba client • PPPoE • UPnP port forwarding • RTP/RTSP/RTCP • IP filtering • Multicast • CoS • QoS/DSCP • SNMP • ONVIF compliant
Security	<ul style="list-style-type: none"> • Administrator and user group protection • Password authentication 	<ul style="list-style-type: none"> • HTTP and RTSP authentication
System Management		
System Requirements for Web Interface	<ul style="list-style-type: none"> • Browser: Internet Explorer, Firefox, Safari 	
Event Management	<ul style="list-style-type: none"> • Motion detection • Event notification and uploading of snapshots/video clips via e-mail or FTP 	<ul style="list-style-type: none"> • Supports multiple SMTP and FTP servers • Multiple event notifications • Multiple recording methods for easy backup
Remote Management	<ul style="list-style-type: none"> • Take snapshots/video clips and save to local hard drive 	<ul style="list-style-type: none"> • Configuration interface accessible via web browser
D-ViewCam™ System Requirements	<ul style="list-style-type: none"> • Operating System: Microsoft Windows 8/7/Vista • Web Browser: Internet Explorer 7 or higher 	<ul style="list-style-type: none"> • Protocol: Standard TCP/IP
D-ViewCam™ Software Functions	<ul style="list-style-type: none"> • Remote management/control of up to 32 cameras • Supports all management functions provided in web interface 	<ul style="list-style-type: none"> • Viewing of up to 32 cameras on one screen • Scheduled motion triggered, or manual recording options
General		
Weight	<ul style="list-style-type: none"> • 1.15 lbs (525 g) ± 5% 	
Power	<ul style="list-style-type: none"> • Input: 100 to 240 V AC, 50/60 Hz 	<ul style="list-style-type: none"> • Output: 12 V DC 1.5 A
Power Consumption	<ul style="list-style-type: none"> • 5.5 watts ± 5% (PoE) 	
Temperature	<ul style="list-style-type: none"> • Operating: -22 to 122° F (-30 to 50° C) 	<ul style="list-style-type: none"> • Storage: -4 to 158° F (-20 to 70° C)
Humidity	<ul style="list-style-type: none"> • Operating: 20% to 80% non-condensing 	<ul style="list-style-type: none"> • Storage: 5% to 95% non-condensing
Certifications	<ul style="list-style-type: none"> • CE • CE LVD 	<ul style="list-style-type: none"> • FCC • C-Tick
Warranty	<ul style="list-style-type: none"> • 5-Year Warranty¹ 	

Vigilance Full HD Outdoor Dome Network Camera

Dimensions	
	
Order Information	
Part Number	Description
DCS-4602EV	Vigilance Full HD Outdoor Dome Network Camera

¹5-Year warranty is available in US only
Updated 2015/08/15 (Hardware Revision A1)

VIGILANCE
Professional. Simple. Affordable.



For more information

U.S.A. | 17595 Mt. Herrmann Street | Fountain Valley, CA 92708 | 800.326.1688 | dlink.com

D-Link, the D-Link logo and the D-ViewCam™ logo are registered trademarks of D-Link Corporation or its subsidiaries. All other third-party marks mentioned herein may be trademarks of their respective owners.
© 2015 D-Link. All rights reserved.

JustConnect+ Remote Viewing app available on:



D-Link[®]
Building Networks for People